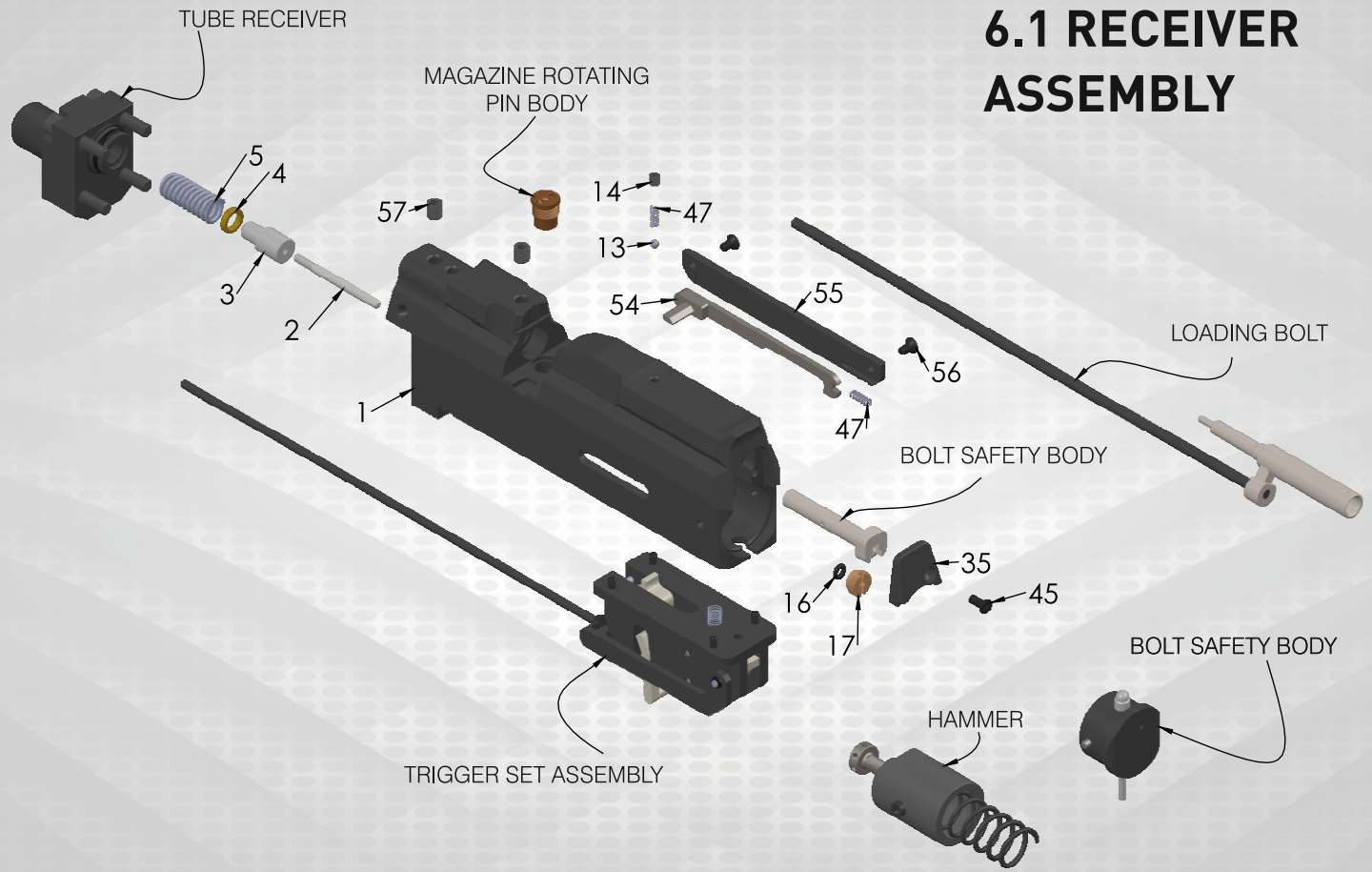
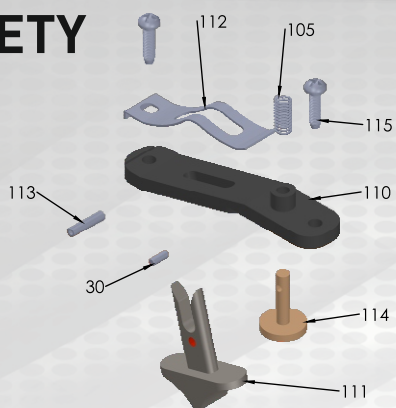


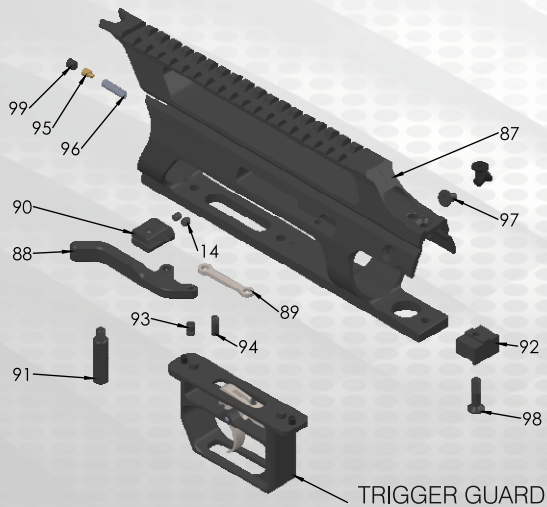
6.1 RECEIVER ASSEMBLY



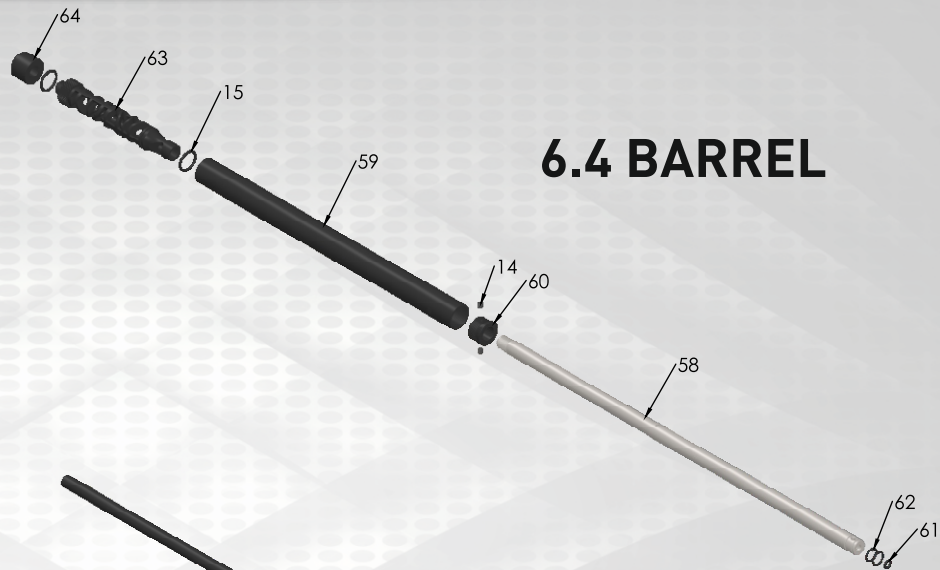
6.2 SAFETY BASE



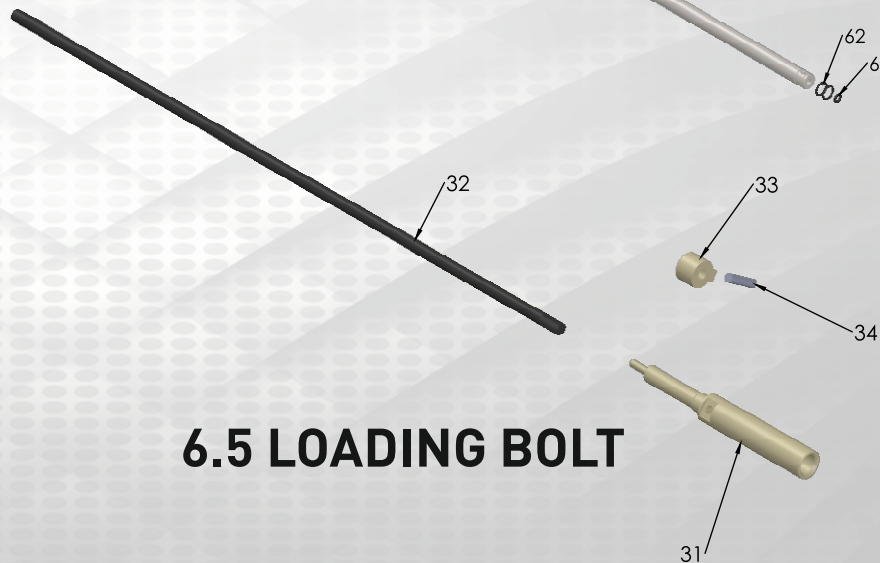
6.3 FRAME



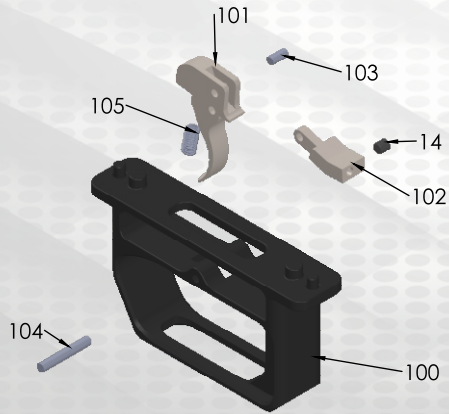
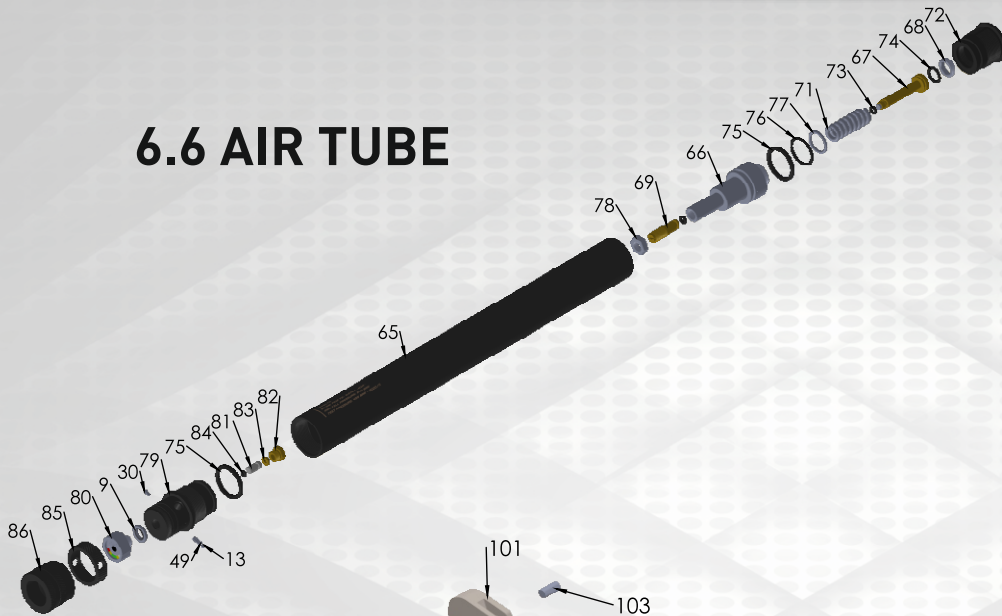
6.4 BARREL



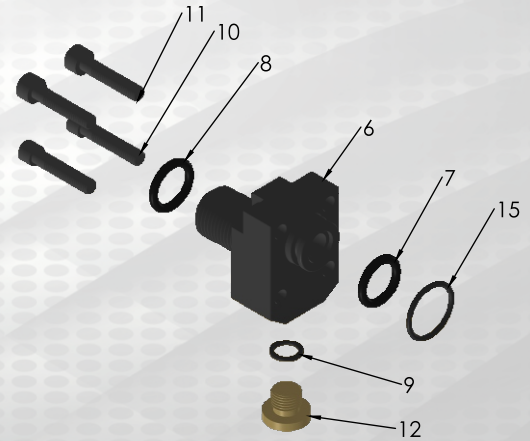
6.5 LOADING BOLT



6.6 AIR TUBE



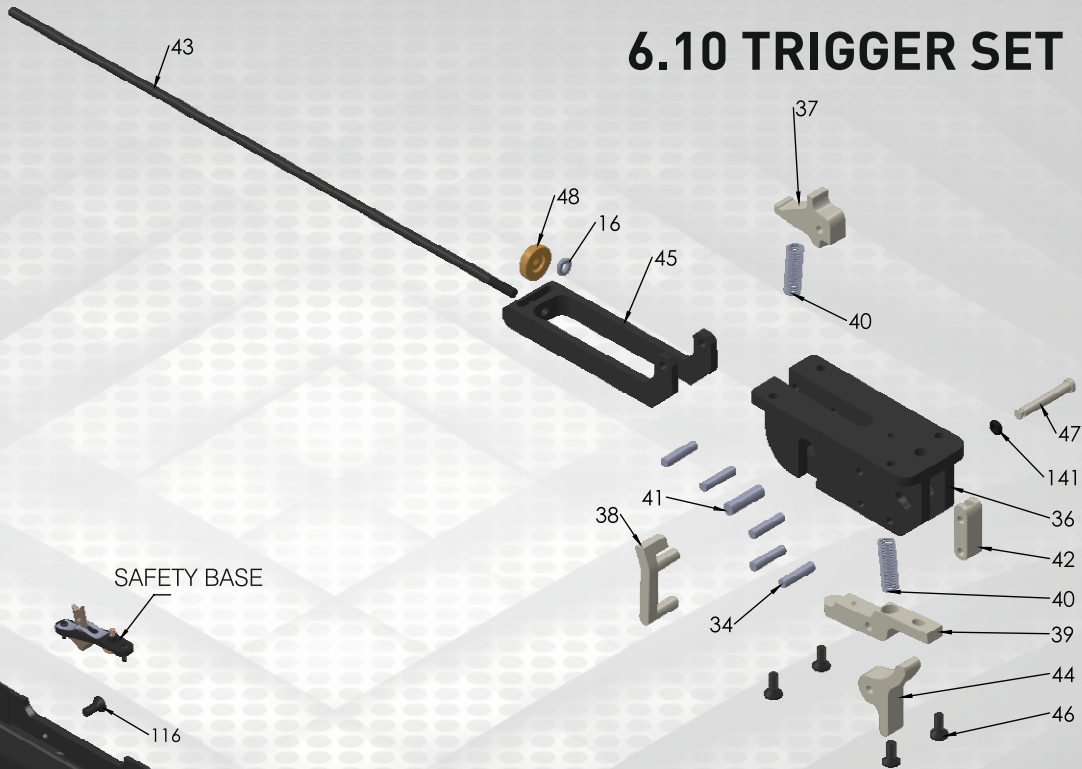
6.7 TRIGGER GUARD



6.8 TUBE RECEIVER

6.10 TRIGGER SET

6.9 STOCK



7. PART LIST

NO	PART NAME	QTY	NO	PART NAME	QTY	NO	PART NAME	QTY
1	RECEIVER	1	45	L TRIGGER LINKAGE	1	89	BOLT LEVER LINKAGE	1
2	VALVE PIN	1	46	M3x8 COUNTERSUNK SCREW	5	90	BOLT HANDLE SLEEVE	1
3	VALVE	1	47	L TRIGGER LINKAGE PIN	1	91	BOLT HANDLE	1
4	VALVE SPRING SLEEVE	1	48	TRIGGER TRAVEL ADJ. NUT	1	92	FRAME SUPPORTER	1
5	1.60x10.50x25 SPRING	1	49	0.50x3.15x8.50 SPRING	3	93	M5X0.8X7 SETSCREW	2
6	TUBE RECEIVER	1	50	MAGAZINE ROTATING PIN BODY	1	94	M5X0.8X12 SETSCREW	1
7	13.1x2.62 O-Ring (90 Shore)	1	51	MAGAZINE ROTATING PIN BODY CAP	1	95	BOLT LEVER LOCKING SPRING PLUG	1
8	13.95x2.62 O-Ring (90 Shore)	1	52	MAGAZINE ROTATING PIN	1	96	0.40x3.90x16 SPRING	2
9	M10 WASHER WITH SEAL	2	53	0.50x5.90x9.30 SPRING	1	97	M5x8 COUNTERSUNK SCREW	4
10	M5x25 HEX SOCKET HEAD SCREW (6.90)	2	54	MAGAZINE ROTATING PIN LINK	1	98	M5x22 COUNTERSUNK SCREW	1
11	M5x25 HEX SOCKET HEAD SCREW	2	55	MAGAZINE ROTATING PIN LINK CAP	1	99	M5X5 SETSCREW	1
12	TUBE RECEIVER TRAINER	1	56	M3x6 COUNTERSUNK SCREW	2	100	TRIGGER GUARD	1
13	Q3 BALL	3	57	M6x6 SETSCREW	2	101	TRIGGER	1
14	M4x4 SETSCREW	9	58	BARREL	1	102	TRIGGER REMOTE LINK SLEEVE	1
15	18x1.5 O-Ring (90 Shore)	3	59	BARREL SHROUD	1	103	3X6.80 PIN	1
16	3x1.5 O-Ring (70 Shore)	1	60	BARREL REAR SUPPORTER	1	104	3x21.8 PIN	1
17	VALVE PIN SLEEVE	1	61	5.5x1.5 O-Ring (70 Shore)	1	105	0.35X4.70X10.50 SPRING	1
18	HAMMER	1	62	12x1 O-Ring (70 Shore)	2	106	M4X8 HEX SOCKET HEAD SCREW	2
19	M4x6 SETSCREW	1	63	EXHAUST	1	107	STOCK	1
20	HAMMER ADJUSTING SCREW	1	64	THREAD PROTECTOR	1	108	GRIP PLATE	1
21	M4x7 HEX SOCKET HEAD SCREW	2	65	AIR TUBE (300 cc)	1	109	BUTT PLATE	1
22	1.70x18.50x50 SPRING	1	66	REGULATOR ADJUSTING BODY (4.5-5.5)	1	110	SAFETY BASE	1
23	BOLT SAFETY BODY	1	67	REGULATOR VALVE	1	111	SAFETY BUTTON	1
24	BOLT SAFETY BODY PIN	1	68	REGULATOR RETAINER RING (4.5-5.5)	1	112	SAFETY SPRING	1
25	0.40x5.50x16.50 SPRING	1	69	REGULATOR ADJUSTING SCREW	1	113	2.5X12 RETAINING PIN	1
26	2X13.8 PIN	1	70	REGULATOR VALVE SEAL	1	114	UNCOCKING BUTTON	1
27	3X31.5 PIN	1	71	REGULATOR SPRING (4.5-5.5) 6.3x4-8.2 -44.50)	1	115	3.5X13 SHEET METAL SCREW	2
28	BOLT SAFETY BODY	1	72	REAR CAP	1	116	M6x16 COUNTERSUNK SCREW	1
29	BOLT SAFETY	1	73	4.48x1.78 O-ring (90 Shore)	2	117	BIPOD MOUNT RAIL	1
30	2x5.8 PIN	5	74	12.42x1.78 O-ring (90 Shore)	1	118	PICATINNY RAIL	1
31	LOADING BOLT	1	75	28.24X2.62 X-RING (90 Shore)	2	119	M4X12 COUNTERSUNK SCREW	1
32	RELOADING BAR	1	76	25.12x1.78 O-ring (90 Shore)	1	120	M5x14 COUNTERSUNK SCREW	1
33	RELOADING BAR SLEEVE	1	77	19x2 O-Ring (90 Shore)	1	121	BUTT PLATE SCREW	2
34	3X13.8 PIN	6	78	M10X0.75 SETSCREW	1	122	MAGAZINE BODY	1
35	BOLT SAFETY PLATE	1	79	FILLING VALVE BODY	1	123	MAGAZINE REAR CAP	1
36	TRIGGER SET	1	80	MANOMETER	1	124	PELLET HOUSING PLATE	1
37	TOP SEAR	1	81	FILLING VALVE PIN	1	125	MAGAZINE STOPPER	1
38	SEAR SAFETY	1	82	EXHAUST	1	126	Q4 BALL	1
39	SEAR	1	83	FILLING VALVE WASHER	1	127	0.20x1.55x6.5 SPRING	1
40	0.40x5.50x18 SPRING	2	84	2.9x1.78 O-ring	1	128	30x1.5 O-Ring (70 Shore)	1
41	4X13.8 PIN	1	85	FILLING VALVE GUARD	1	129	0.56x13.20 SPRING	1
42	TRIGGER BLOCK	1	86	MANOMETER GUARD	1	130	M3x3 SETSCREW	1
43	TRIGGER REMOTE LINK	1	87	FRAME	1	131	0.40X3.80X14.70 SPRING	2
44	UNCOCKING BUTTON LINK	1	88	BOLT LEVER	1			