

# **SNOWPEAK®**

## **OWNER'S MANUAL FOR AP900**

**.177 Cal(4.5mm) / .22 Cal(5.5mm) / .25 Cal(6.35mm)**

### **ALWAYS FOLLOW THESE SAFETY WARNINGS**

**⚠ WARNING:** Not a toy. This air rifle is intended for **ADULT USE ONLY**. Misuse or careless use may cause serious injury or death.

**⚠ WARNING:** **DO NOT** brandish or display this air rifle in public --- it may confuse police and others thinking it is a firearm. **DO NOT** change the coloration and markings to make it look more like a firearm. That is dangerous and may be crime.

**⚠ WARNING:** **WHATEVER THE CONDITION IS, NEVER POINT THIS AIR RIFLE AT ANYONE EVER.**

**⚠ WARNING:** Lead pellets. Do not inhale dust or put pellets in mouth. Wash hands after handling. This product contains lead, a chemical known to public to cause cancer and birth defects (or other productive harm).

**⚠ WARNING:** Use only compressed air in this air rifle. Use no other gases --- including oxygen, which can cause a fire or explosion that may result in serious injury or death.

**⚠ WARNING:** This air rifle could fire when dropped or jarred, with or without the safety engaged.



***Thank you for choosing SNOWPEAK. Play safely with this PCP rifle AP900.***

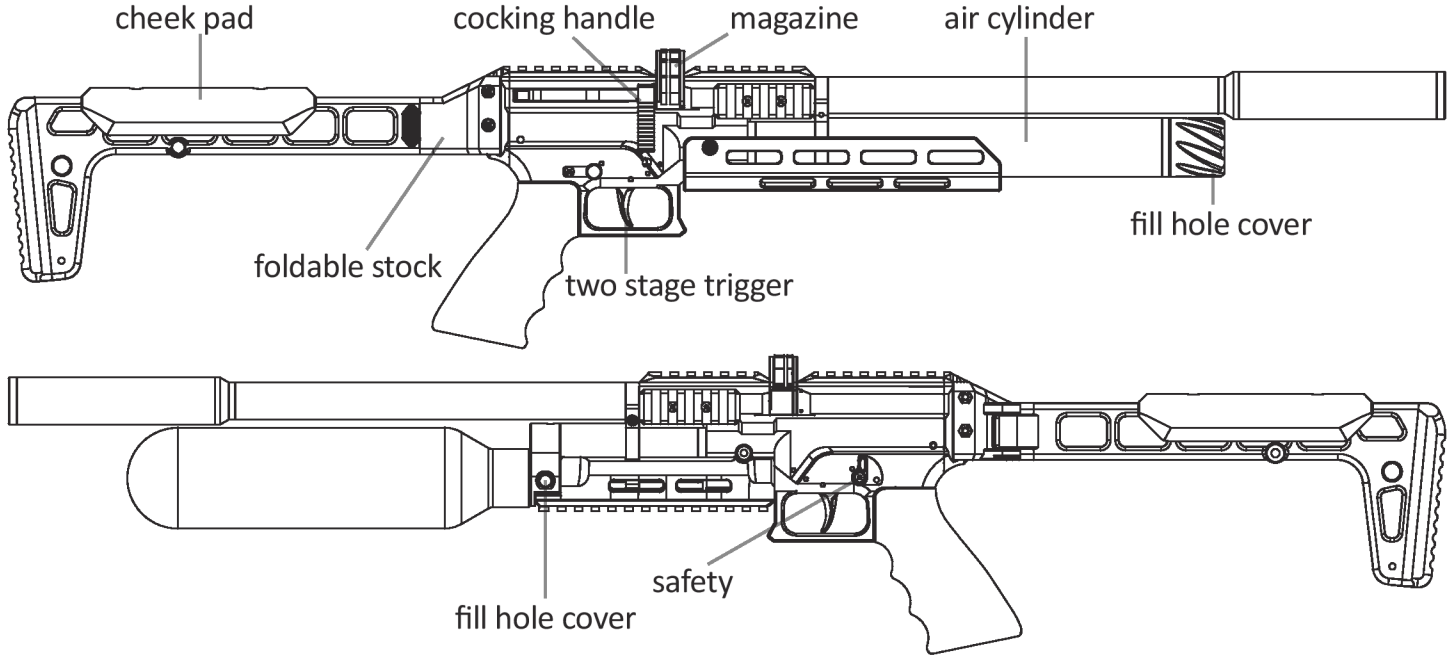
***PLEASE READ ALL INSTRUCTIONS AND WARNINGS IN THIS MANUAL BEFORE HANDLING OR SHOOTING THIS AIR RIFLE. ALWAYS USE CAUTION WHEN OPERATING THIS AIR RIFLE. BUYER AND USER SHOULD HAVE THE DUTY TO OBEY ALL LAWS ABOUT THE USE AND OWNERSHIP OF THIS AIR RIFLE. AND REMEMBER THIS AIR RIFLE IS HIGHLY POWERED AND INTENDED FOR ADULT USE ONLY.***

Before using your new air rifle check if it is fully charged and abide the below basic safety rules:

1. Treat every rifle as it is loaded.
2. Never point the rifle at anyone, or allow anyone to point a rifle at you, even if you know it is not loaded.
3. Always carry the rifle so that the direction of the muzzle is under control, even if you stumble.
4. Always be sure of your target and what lies behind it before firing your rifle.
5. Never leave a loaded rifle unattended.
6. Beware of targets that tend to cause ricochets.
7. It is recommended that eye & ear protection is worn when charging the cylinder and when shooting.
8. May be dangerous up to 305 yards.

Please read this owner's manual completely. And remember that an air rifle is not a toy. Always carefully follow the safety instructions in this manual and keep this manual in a safe place for future use.

## **PARTS OF YOUR NEW AIR RIFLE**



***AP900 is a single&multiple shot, pre-charged, manual loading PCP rifle.***

- Foldable stock
- Tactical style
- New structure magazine
- Two stage adjustable trigger

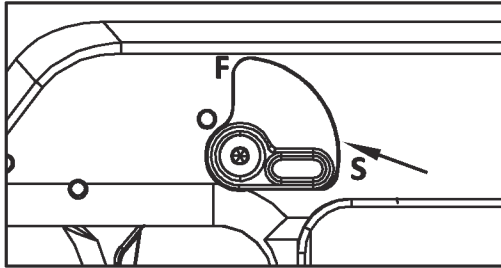
## **SPECIFICATIONS**

<b>BARREL</b>	310mm	
<b>CALIBER</b>	.177(4.5mm)/.22(5.5mm)/.25(6.35mm)	
<b>VELOCITY</b>	4.5mm up to 930FPS / 5.5mm up to 850FPS / 6.35mm up to 750FPS	
<b>MAXIMUM PRESSURE</b>	25MPA	
<b>REGULATOR</b>	YES	
<b>AIR CAPACITY</b>	Airtube:118cc	Airtank:360cc
<b>MAGAZINE CAPACITY</b>	4.5(.177) 12 shots/5.5(.22) 10 shots/6.35(.25) 10 shots	
<b>RAIL</b>	21.2 mm Picatinny	
<b>DIMENSION L*W*H</b>	Airtube: 855×180×50mm	Airtank: 855×180×60mm
<b>WEIGHT*</b>	Airtube: 1.6KG	Airtank: 2.2KG
<b>ACCESSORIES</b>	7mm FILL ADAPTOR, REPLACEMENT O-RINGS, OWNER'S MANUAL	

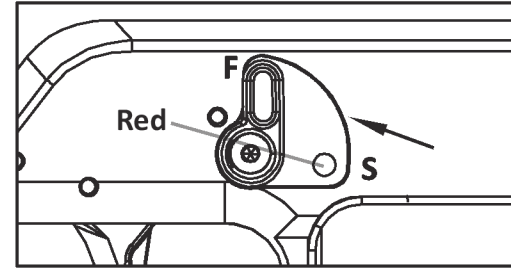
\*The velocity can be customized to comply with the regulatory standards of different countries.

# OPERATING INSTRUCTIONS

## 1. MANUAL SAFETY



**SAFE position**



**FIRE position**

- When the red marking of the safety is exposed (SAFETY IS OFF), the device can be fired.
- When the red marking of the safety is hidden (SAFETY IS ON), the device cannot be fired.

## 2. FILLING THE RIFLE

Check and make sure the rifle is unloaded, and then cock the handle before charging air. Fit the attached fill adaptor to the socket coupler of your charging equipment, which must incorporate a pressure gauge. Pull the fill hole cover forward. Ensure both fill adaptor and the filler hole are clean from dirt, then insert fill adaptor into filler hole. Make sure putting the air rifle “ON SAFE” position. Point the air rifle in a SAFE DIRECTION. We recommend you filling 25 MPa pressure to the gas cylinder.

### 2.1 Filling the Air Rifle with a hand pump

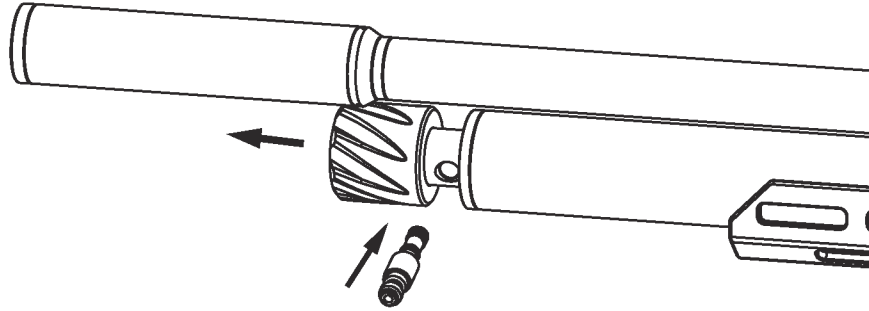
Be sure to wear eye protection. Make sure the air rifle is unloaded, then cock the handle before charging air. Read all instructions with your hand pump equipment so you are familiar with its operation. Make sure putting the air rifle “ON SAFE” position. Point the air rifle in a SAFE DIRECTION. Now you are ready to fill pressure.

## **2.2 FILLING THE AIR RIFLE WITH A HIGH PRESSURE TANK**

- Install the fill adaptor.
- Then insert fill adaptor into your rifle.
- Slowly open the valve on your tank and start filling the air rifle SLOWLY.
- Filling too quickly will cause heat buildup that can affect the accuracy of the fill pressure gauge.
- Watch the gauge on your air rifle and the scuba tank until the reasonable pressure is reached.
- DO NOT EXCEED ITS MAXIMUM PRESSURE 25MPa/250Bar.
- Turn the valve on your tank off when the reasonable pressure is reached.
- BLEED RESIDUAL air in fill hose COMPLETELY to avoid hose whip and possible injury.
- Disconnect fill adaptor from fill hole on the air rifle.

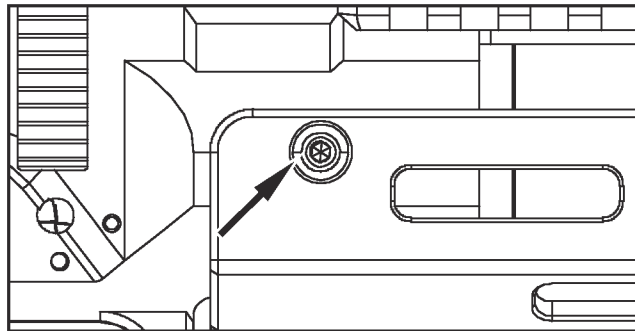
NOTE: Before you remove the fill adaptor from the filler hole, turn on the exhaust valve on your filling equipment and make sure the hose has already been exhausted. Then turn off the exhaust valve. The air reservoir on your air rifle is not replaceable. DO NOT INTEND TO DISMANTLE ANY PARTS ON YOUR AIR RIFLE IN ANY SITUATION.

If you couldn't filling air when reservoir is completely empty (or at zero pressure), try cocking the bolt. Always make sure the air rifle is NOT LOADED and there is NO pellet in the chamber with the safety "ON" when filling.



### **2.3 HOW TO DE-GAS**

There is a de-gas screw on the out-put valve, just loose it slowly, until you can hear the air leaking sound. When the air is completely emptied, tighten the de-gas screw .



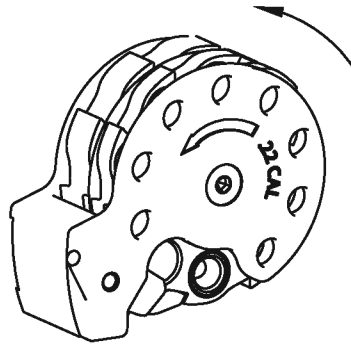
### **3.LOADING PELLETS**

#### **Magazine-Filling Procedure:**

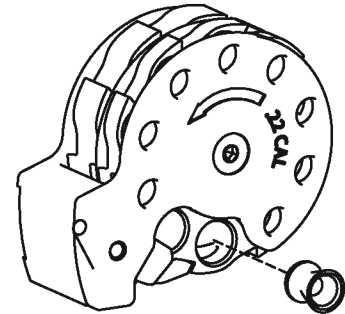
- This is a new structure of magazine, load the pellet and rotate the magazine, and load the second pellet, repeat until the magazine is full.
- Magazine capacity is 12 for Cal.177, 10 for Cal.22, 10 for Cal.25.



**step 1**



**step 2**

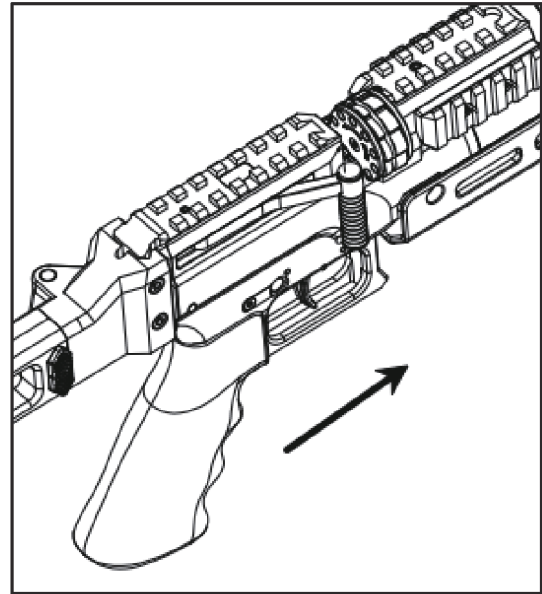
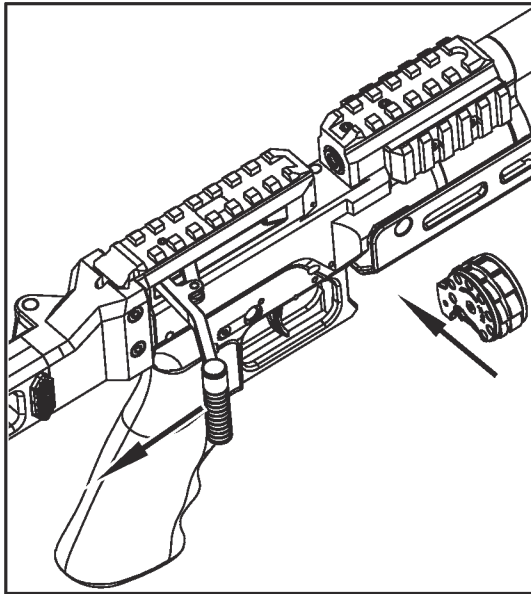


**step 3**

- Check if the air pressure in your gas cylinder is in a reasonable range.
- Point muzzle in a SAFE DIRECTION when loading. NEVER POINT IT AT YOURSELF OR ANY OTHER PEOPLE.
- Make sure safety is "ON" before loading.

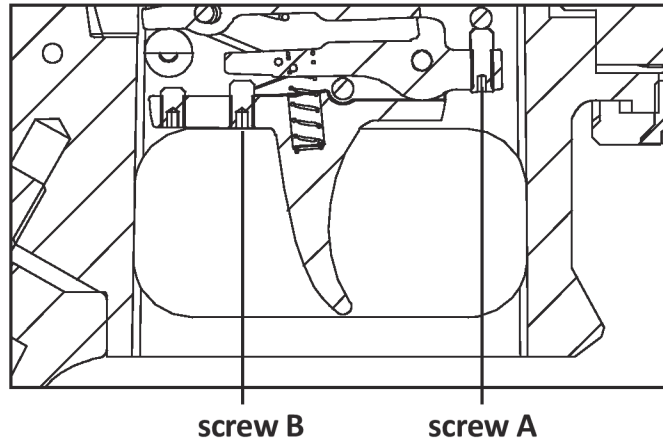
**The following is the loading procedure for Your air rifle:**

- When you are holding the air rifle, make sure it is not cocked and unloaded also check if you take the same caliber pellet as your barrel.
- Pull the bolt backward to cock the rifle (The bolt cannot automatically return forward).
- Align the magazine bugle into breech slot and install the magazine.
- Push bolt forward to the end and now the rifle is loaded.
- After shooting out all pellets, pull the bolt backward to the end, remove the magazine and reload.



#### **4.AJUSTING THE TRIGGER**

- Adjusting the screw B ,you can adjust the travel distance of the first stage.  
Adjusting the Screw A,you can adjust the travel distance of the second stage.
- Counter-clockwise turning the screw, increase the distance.  
Clockwise turning the screw, decrease the distance.



## ***5.TROUBLESHOOTING***

### **See the exploded view on the last page**

- If air fails to enter during inflation, replace Part No. 82(84) as shown in the diagram.
- If there is obvious air leakage from the magazine slot when firing, replace Part No. 70(69) as shown in the diagram.
- If air leaks from the air cylinder after inflation, replace Part No. 91/92/93/94/95(95/96/97/98/99) as shown in the diagram.
- If pressure crossover occurs in the pressure regulator, replace Part No. 88(99) as shown in the diagram.

## **MAINTENANCE**

**⚠️ WARNING:** Never shoot the air gun when the air cylinder is empty. Failure to obey this instruction could result in damage to your air pistol. Never lubricate inside the barrel as this may affect the shooting accuracy and firing intensity in negative manner.

### **Lubricating and Cleaning**

Every 3 months or 1000 shots apply mineral based oil sparingly to the following parts:

- The surface of valve pin
- The seal of loading port

It is recommended to clean the barrel with a cleaning rod every 3 months or every 1000 shots.

Never lubricate inside the barrel.

Before you begin oiling or cleaning your air gun, always check to make sure it is unloaded.

Always be sure your air gun barrel is clean and not blocked.

After cleaning ensure that no cleaning patch or obstruction remains in the barrel.

Annually, take your air gun to a gunsmith even if it seems to be working well, since some issues in your air gun may not be apparent by external examination.

Take your air gun to a gunsmith if water, sand, etc. enters the internal mechanism of the air gun, for complete cleaning.

Dangerous conditions may occur if you do not keep your air gun clean and work properly.

### **Quick Fill Adaptor Seal Replacement**

After a period of time, the fill adaptor seals will need to be replaced. The need for this will become noticeable if air is heard leaking at fill adaptor or the adaptor ejected from rifle fill hole when charging. Always ensure to replace both seals.

## **Intake Valve O-Ring Replacement**

After a period of time, the intake valve seal will need to be replaced. Once air is heard leaking from intake valve, it is the sign of immediate replacement of the intake valve seal.

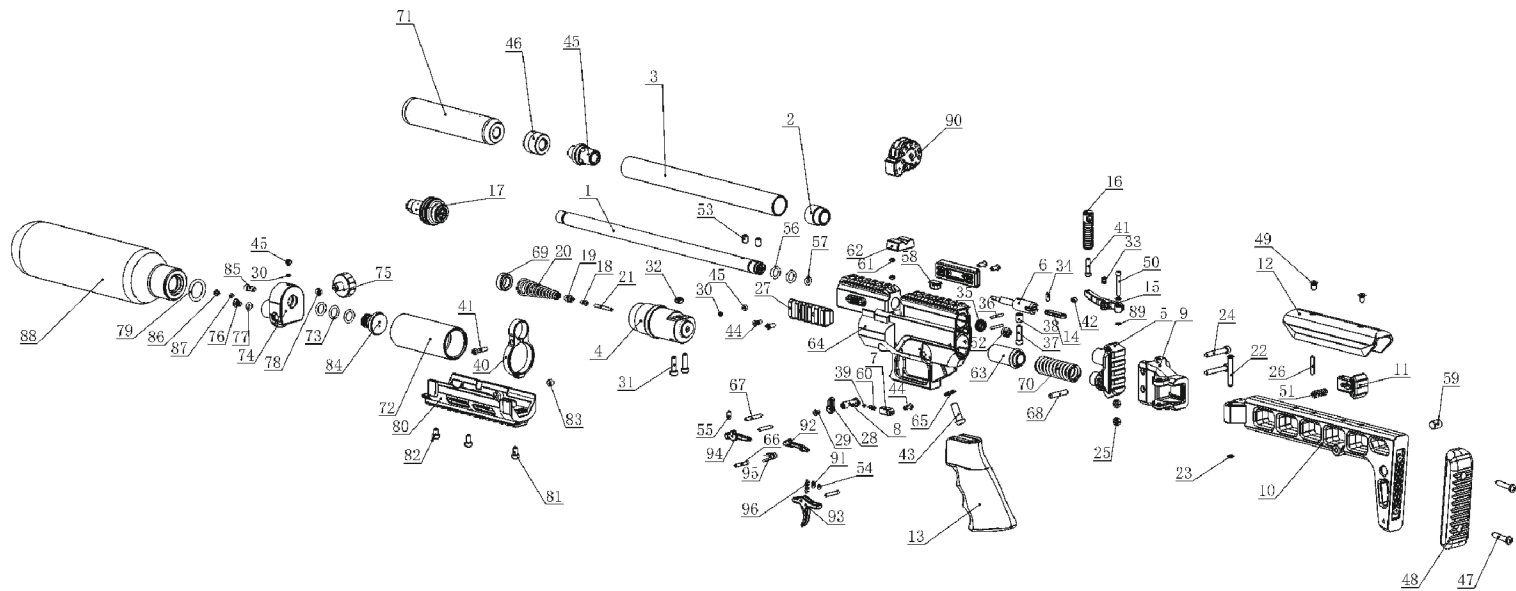
- Make sure there's no residual high pressures air in air cylinder, and wait until gauge points ZERO.
- The followings are replacement procedures of intake valve seal: Dismantle the intake valve. Remove intake valve screw and replace the used seal, and re-assemble.
- Make sure all the threads are screwed in during the assembly.
- It is recommended to seek a competent gunsmith for help to replace seal. If you need to replace it yourself, make sure there's no high pressure in the air reservoir and the gauge has pointed to zero.

## ***SAFETY MEASURES & WARNINGS***

- This air gun will shoot if cocked, loaded and trigger pulled.
- Air guns are not toys. Never let young children use an air gun unsupervised. Adult supervision is strictly required during use. Misuse or careless use may cause serious injury or death.
- Learn how your air gun operates and safe air gun handling procedures before loading and using it.
- ALWAYS USE EYE & HEARING PROTECTION AND MAKE BYSTANDERS USE THE SAME. Failure to do so may result in eye injuries and permanent hearing loss.
- Do not point at anything you do not intend to shoot even though the air gun is unloaded. Always keep the air gun pointed in a safe direction.
- Never point an air gun toward you by the muzzle.
- Always aim at a safe target taking care that it does not conceal any other object.
- Before you shoot, consider where the pellet will travel should you miss your intended target, thus ensuring no damage or harm could result. Be sure of your target before you pull the trigger. Never shoot at sounds.

- When shooting, always have a safe shooting range, have a safe area for shooting, a safe distance between you and the target, and a safe backstop to trap the pellets and hold the target.
- Do not shoot at a target, that allows ricochets or deflections. Do not shoot into or at water.
- Do not shoot at or near power lines or insulators. Be especially careful in wooded areas where power lines may not be visible.
- Do not load the air gun until you are ready to shoot.
- Always keep your fingers away from the trigger & muzzle during cocking and handling.
- Do not run or jump when carrying a loaded or cocked air gun. A loaded or a cocked air gun should never be carried inside a vehicle, house, camp or public place. Never climb a tree or fence or jump a ditch with a loaded air gun. In such a case, first unload it and hand the air gun to a friend or place it on the ground on the other side of the obstacle before crossing yourself.
- When transporting the air gun, keep it unloaded.
- Do not put the air gun away loaded and unattended.
- Always check to see if the air gun is unloaded when getting it from another person or from storage. Always keep the air gun and/or pellets out of the reach of children. Keep the air gun and pellets in separate places, better if under lock and key.
- Do not attempt to disassemble or tamper with your air gun. Use a competent gunsmith. Many air guns contain powerful springs or high pressure air cylinders which can cause serious injury if released in an uncontrolled manner.
- Always handle and treat your air gun as though it were loaded.
- Improper use or handling of air guns is not the responsibility of the manufacturer or distributor, under any circumstances. The user is responsible for any harm, which may be caused.
- Think first, shoot second.
- Be safe not sorry. Respect other's property.
- Air guns should never be used under the influences of alcohol or drugs.









[www.snowpeaksports.com](http://www.snowpeaksports.com)